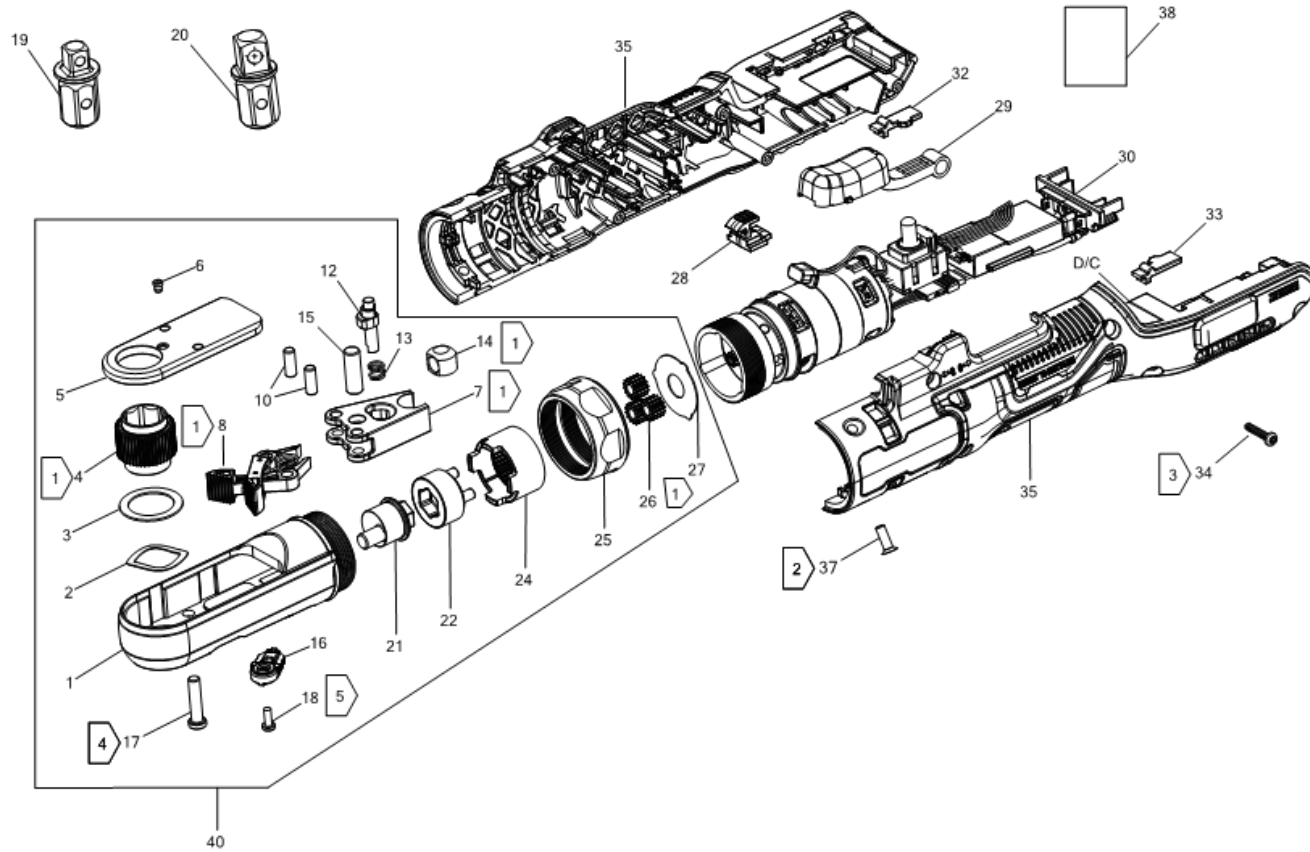
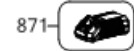
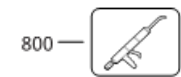


# DCF510N RATCHET 1



## NOTES:

- ① ADD GREASE 34138513-00
- ② TORQUE TO 1.0 ±0.1 Nm
- ③ TORQUE TO 0.7 ±0.1 Nm
- ④ TORQUE TO 3.1 ±0.2 Nm
- ⑤ TORQUE TO 1.8 ±0.1 Nm



## Parts List DCF510N RATCHET 1

Item	Part Number	Qty	Part Description	General Description	Other Info	Repair Inst	Markets
1	NA552026	1	HEAD SA			No	XJ
1	N904941	1	HEAD			No	XJ
2	NA129425	1	WASHER			No	XJ
3	NA129422	1	WASHER			No	XJ
4	NA034924	1	SPINDLE			No	XJ
5	NA095416	1	PLATE			No	XJ
6	NA121531	1	HEAD			No	XJ
7	NA156319	1	LINK			No	XJ
8	NA533995	1	PAWL			No	XJ
10	NA025818	2	PIN			No	XJ
12	NA129416	1	CAM			No	XJ
13	NA129426	1	SPRING			No	XJ
14	NA025820	1	BUSHING			No	XJ
15	NA095419	1	PIN			No	XJ
16	NA114401	1	BUTTON			No	XJ
17	NA129420	2	SCREW			No	XJ
18	NA129421	1	SCREW			No	XJ
19	N926332	1	DRIVER	3/8"	3/8"	No	XJ
20	N927256	1	DRIVER	1/2"	1/2"	No	XJ
21	NA210202	1	CRANKSHAFT			No	XJ
22	NA328719	1	CARRIER SA			No	XJ
24	N769502	1	INTERGEAR			No	XJ
25	N767501	1	NUT			No	XJ
26	NA153966	3	RATCHET			No	XJ
27	N820701	1	PLATE			No	XJ
28	N878614	1	LOCK			No	XJ
29	N720556	1	TRIGGER			No	XJ
30	NA531942	1	MOTOR & SWITCH SA			No	XJ
32	N728006	1	BUMPER			No	XJ
33	N728008	1	BUMPER			No	XJ
34	N463678	5	SCREW			No	XJ
35	NA120320	1	HOUSING SA			No	XJ

## Parts List DCF510N RATCHET 1

Item	Part Number	Qty	Part Description	General Description	Other Info	Repair Inst	Markets
37	N891761	4	SCREW			No	XJ
38	NA093940	1	LABEL			No	XJ
40	NA533996	1	HEAD SA			No	XJ
821	NA093939	1	RATING LABEL			No	XJ